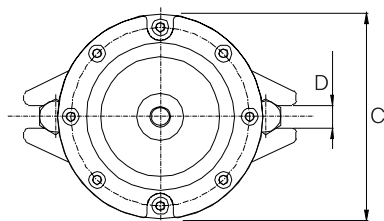
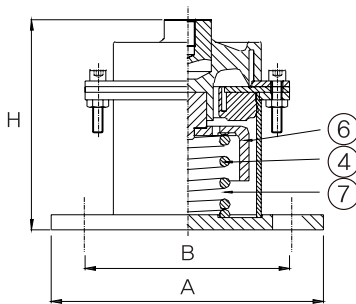
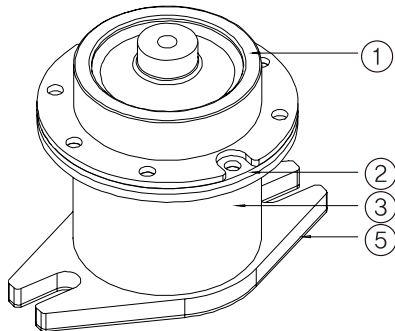


VD60 Spring Damper Mount



■ Features

It is a solid-bottom mount with the combined features of oil-filled damper, spring and rubber and it is very effective against shock power and periodic vibration. It first converts impulsive vibration into frictional heat energy using oil and then, dissipates periodic vibration using rubber and the spring. The rubber on top is a CR (neoprene)-type synthetic rubber having excellent oil and ozone resistant properties. Because the spring gains a static deflection after assembly, it can maintain a low-natural frequency, less than 5Hz.

■ Usage

- ◆ For high-efficient vibration control of cooling towers
- ◆ For high-efficient vibration control of heavy equipment (semiconductor production line)
- ◆ For equipment generating large impulsive vibration
- ◆ For equipment that is sensitive to surrounding vibration

■ Specification

| No. | Name of Components | Material | Standard |
|-----|--------------------|----------|-----------------------|
| 1 | Upper Cap | CR & GC | KS M 6617 / KS D 4301 |
| 2 | Middle Cap | CR & GC | KS M 6617 / KS D 4301 |
| 3 | Lower Cap | SS400 | KS D 3503 |
| 4 | Coil Spring | SUP9 | KS B 2402 |
| | | HSW3 | KS B 2403 |
| 5 | Non Skid Pad | CR & GC | KS M 6617 |
| 6 | Inner Damper | GC | KS D 4301 |
| 7 | Damper Oil | — | FLUID OIL |

■ Dimension & Selection Guide

| Type | Capacity (kgf) | Dimension(mm) | | | | | |
|-----------|----------------|---------------|-----|-----|----|-----|------------|
| | | A | B | C | D | H | Level Bolt |
| VD60-500 | 500 | 184 | 132 | 124 | 18 | 190 | M12 |
| VD60-1000 | 1000 | 184 | 132 | 124 | 18 | 190 | M12 |
| VD60-1500 | 1500 | 270 | 198 | 202 | 22 | 230 | M20 |
| VD60-2000 | 2000 | 270 | 198 | 202 | 22 | 230 | M20 |

(NOTE) The mentioned size and scale can be altered to improve the quality performance and capacity of the product without any notice.