

Sway Bracing (Longitudinal, for low height ceiling space)

ND-R 

● **Features**

- ① ND-30 A/B (structure attachment)
- ② ND-20 (pipe clamp)
- ③ ND-10 A/B (adapter)
- ④ NP-25A/32A Sch. #40 pipe
- ⑤ M12 seismic anchor bolt
- ⑥ ND-40 (swivel adapter)

● **ND-40**



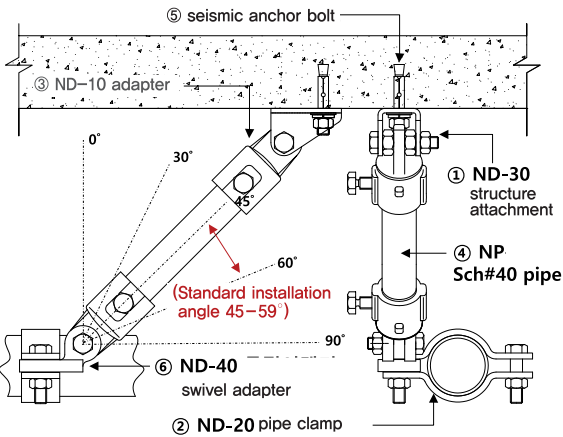
● **ND-10 A/B**



● **ND-20**



● **ND-30 A/B**



- **Min embedment depth of anchor bolt : 50mm**
- **It is beneficial when applying to the common area of a Apartment house or low height ceiling space within a house**
- **Installation Standards**

- 1) It is used when a longitudinal sway bracing is not installed due to a narrow space between the ceiling and pipe top surface.
- 2) For installation Standards, that of the longitudinal sway bracing is applied.

● **Rated load per pipe diameter and installation angle**

Model name	Pipe diameter	Rated load per installation angle (N)			KFI Certificate No.
		45°	60°	90°	
ND-R-40	40A	4,718	5,778	6,672	Beotim 18-35
ND-R-50	50A				
ND-R-65	65A				
ND-R-80	80A				
ND-R-100	100A				