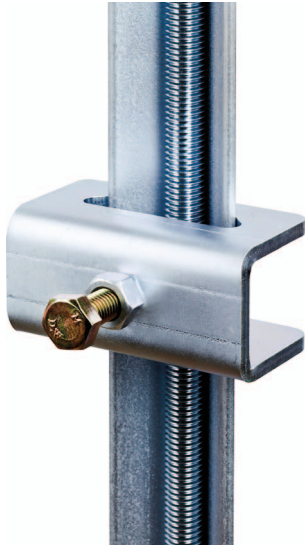


# NSS-20

## Seismic Rod

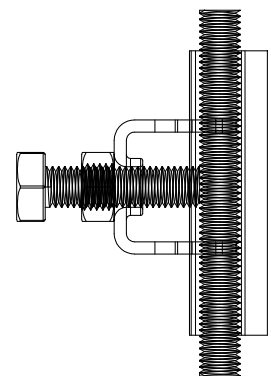
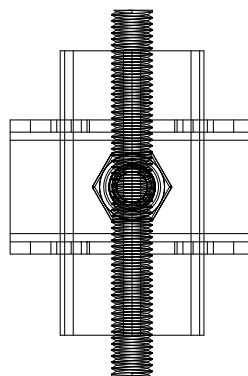
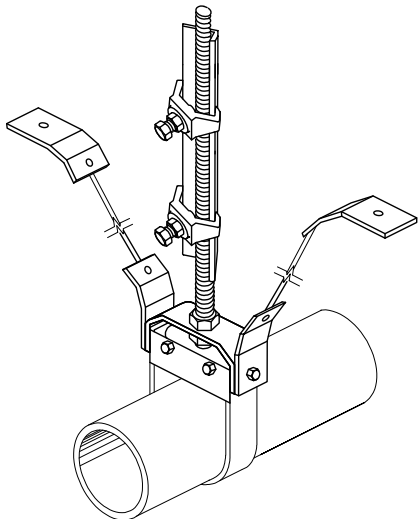
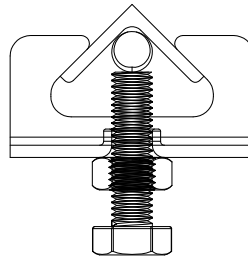
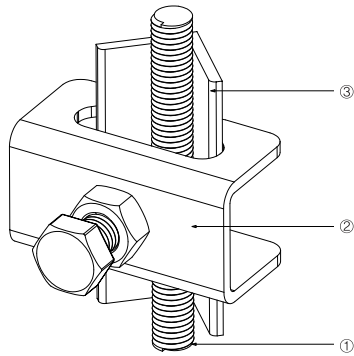


● Features

The system is used to fix a member to a full thread bolt using a stiffener to prevent the buckling of the hanger rod and to enhance stiffness when hanging duct or pipe from a ceiling using the bolt. The system consists of a full thread bolt, fixing clamp and rod stiffener.

● Product components

No.	Name	Material	Specification
1	Hanger rod	SS400	KS D 3504
2	Clamp	SS400	KS D 3504
3	Rod Stiffener	SS400	KS D 3504



● DIMENSION & SELECTION GUIDE BY LOADS

TYPE	Rod Stiffener Size	Hanger Rod Size
NSS-20-A	25 x 25 x 3T	3/8", 1/2", 5/8"
NSS-20-B	40 x 40 x 5T	3/4", 7/8", 1 1/8"

NOTE: Specifications and dimensions may be changed without prior notice for the enhancement of product performance and quality.