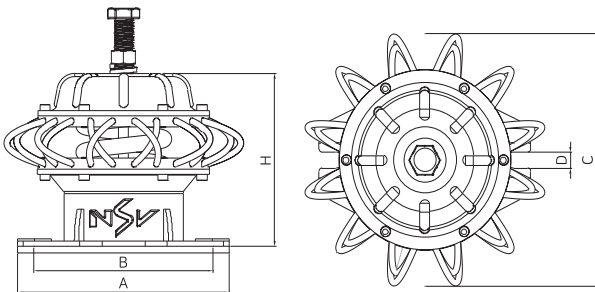
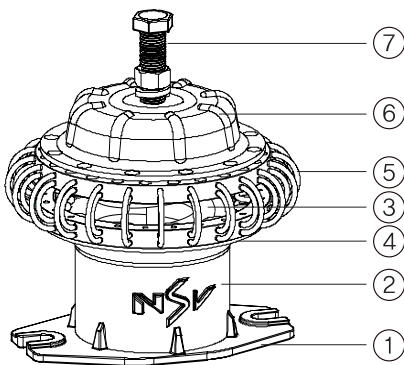


VWM62 Wire-Spring Mount (Deflection : 50mm)

※ The model name of VWS product has changed to VWM62



Features

VWM62 offers elasticity of coil spring and excellent attenuation effect of wire rope, ensuring vibration isolation and dynamic stabilization of equipment.
enhanced strength of wire mount helps bear large loads

Usage

- ◆ For equipment that requires vibration isolation and dynamic stability
- ◆ For equipment that needs a buffer
- ◆ For equipment that needs horizontal elasticity
- ◆ For cooling towers, reciprocating compressors and steam blowers
- ◆ For equipment that needs to control noise directing the floor right below

Specification

No.	Name of Components	Material	Standard
1	Lower Non Skid Pad	CR	KS M 6617
2	Lower Housing	STS304	-
3	Coil Spring	SUP9	KS B 2402
		HSW3	KS B 2403
4	Retainer Bar	STS304	-
5	Wire Rope	STS304	KS D 3514
6	Upper housing	STS304	-
7	Level Bolt	SS400	KS B 1002

Dimension & Selection Guide

Type	Capacity	Spring Constant (kgf/mm)	Color	Dimension(mm)					
				A	B	C	D	H	Leveling Bolt
VWM62-100	100	2	Blue	201	170	214	15	170	M16 x 80
VWM62-150	150	3	Brown						
VWM62-200	200	4	White						
VWM62-300	300	6	Orange						
VWM62-400	400	8	Pink						
VWM62-500	500	10	Green						
VWM62-600	600	12	Blue						
VWM62-750	750	15	Black						
VWM62-1000	1000	20	Yellow						
VWM62-1200	1200	24	Red						
VWM62-1500	1500	30	Black						

(NOTE) The mentioned size and scale can be altered to improve the quality performance and capacity of the product without any notice.